

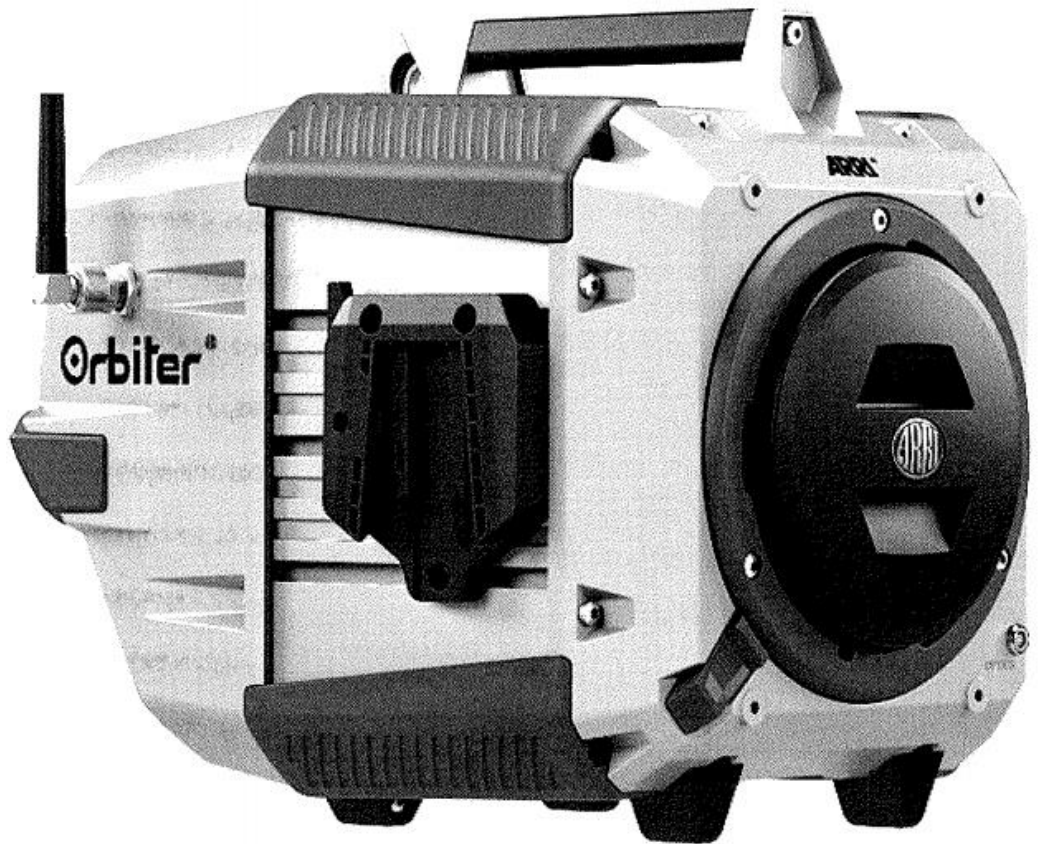


ARRI - ORBITER

Short Manual

WARNING-
FULLY READ AND
UNDERSTAND
THESE
INSTRUCTIONS
BEFORE
OPERATING THE
ARRI ORBITER.
IMPROPER
HANDLING CAN
RESULT IN
SERIOUS HARM
OR DAMAGE. IF
YOU HAVE ANY
QUESTION
PLEASE CALL
416.869.3330.

Orbiter®



ARRI®



ARRI - ORBITER

Short Manual

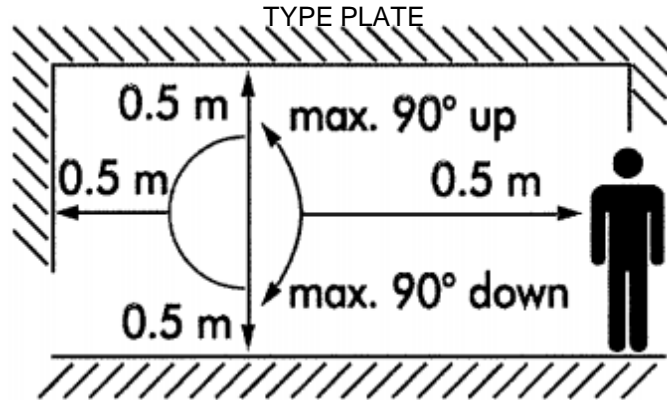
WARNING:

Lamphead and systems may only be operated and used by qualified persons.

Safety Concerning Fire/Burns/Radiation (UV, VIS, IR):

Always **Observe the minimum distances** stated on the type plate to allow light and heat radiation to disperse safely. **This will prevent danger to persons and objects.**

Lampheads must be placed at sufficient distance from flammable materials or objects. **The minimum distance to lit objects written on the lamphead describes a max. temp. of 90 Degrees Celsius in spot-focus on the lit object.**



**DO NOT COVER ANY
VENTILATION SLOTS ON THE
LAMPHEAD!!!**



CAUTION – HIGH BEAM INTENSITY!

Do not look into the active light source of the Orbiter.



CAUTION - OPTICAL RADIATION

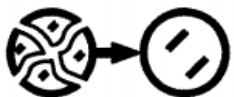
The fixture emits optical radiation during operation. Always observe the minimum distance to persons and objects.



CAUTION - HOT SURFACE

The fixture becomes up to 75° C (167° F) hot during operation. Do not touch the fixture during operation. Let the fixture cool down completely before handling.

CAUTION - BREAKING GLASS



Protection glass: Replace a broken protection glass immediately. Do not use a lamphead with broken protection glass.

Always observe the minimum distances to persons and flammable objects given on the type plate. Always observe the maximum tilt angle.

Do not move lamphead past tilt angle stated on the type plate as this might cause the lamphead to **overheat**.

Do not operate the lamphead with **closed barndoors or an excessive number of scrims**, as this might also cause **overheating**

Do not open the housing of the Orbiter. For safe operation, the housing must be completely closed at all times.

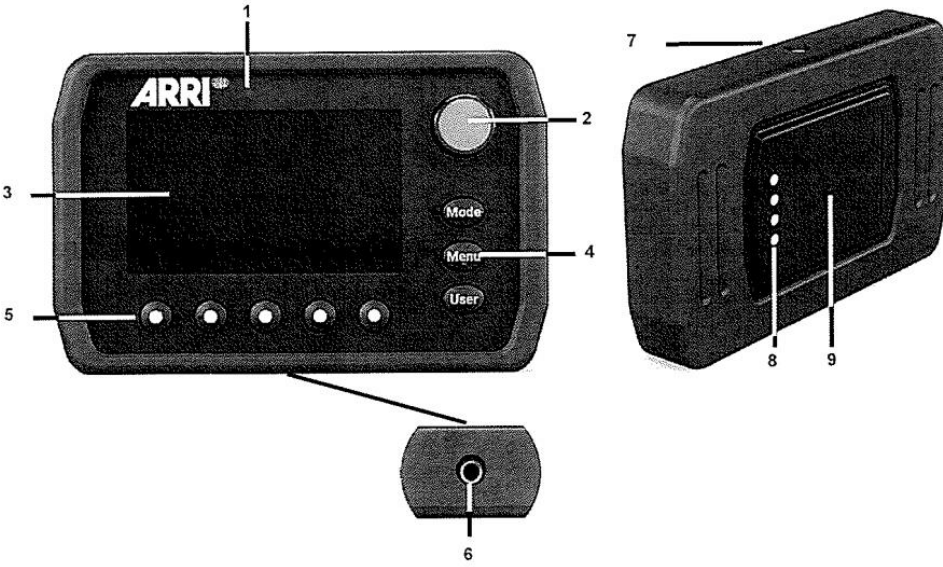
Take appropriate precautions when lighting glass, windows and decorative surfaces. These materials can burst when they become hot.

A faultless function of the power supply and protection system must be ensured before connecting lamphead.

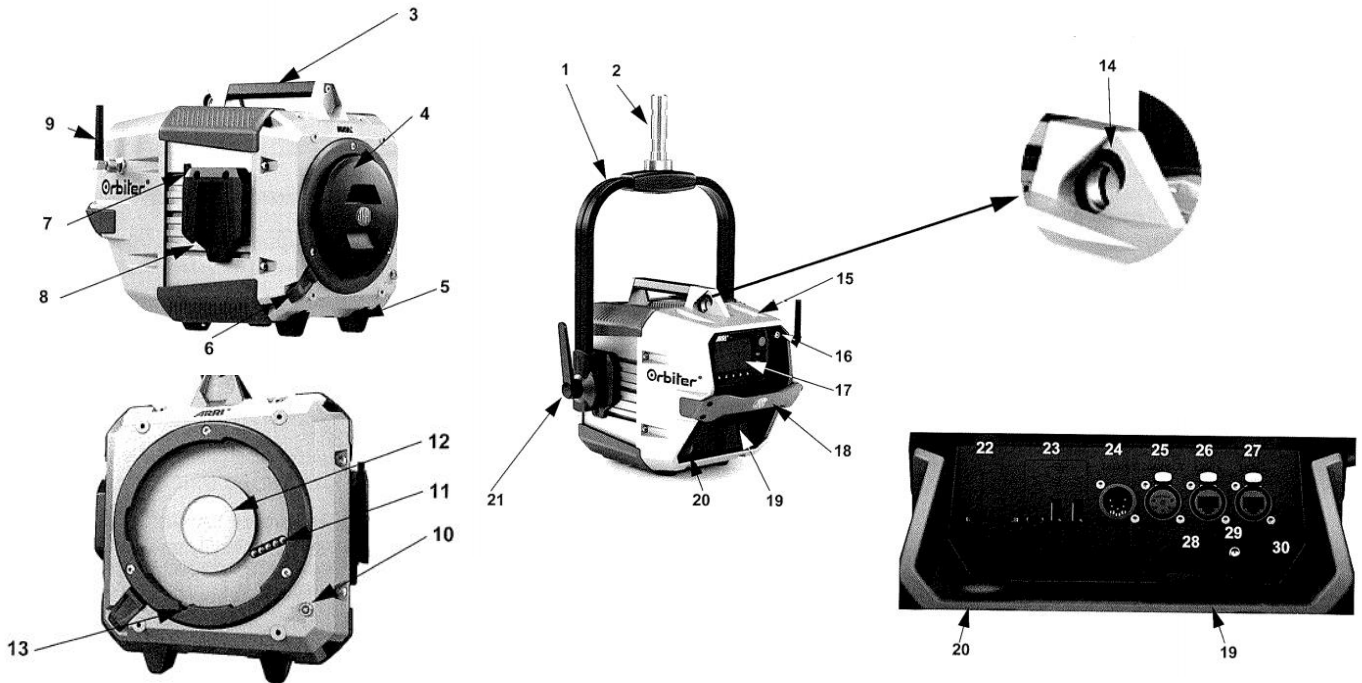


ARRI - ORBITER

Short Manual



- 1 – Sensor for Display Illumination
- 2 – Encoder
- 3 – Display
- 4 – Menu Buttons
- 5 – Quick Buttons
- 6 – Thread for D-Ring
- 7 – 4 Pin Lemo Connector
- 8 – Connectors to Luminaire
- 9 – Neodymium Magnet

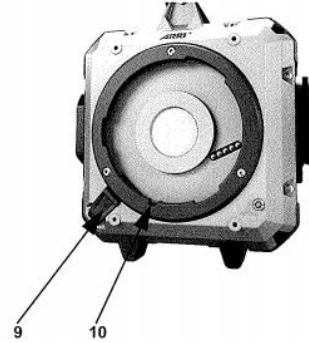
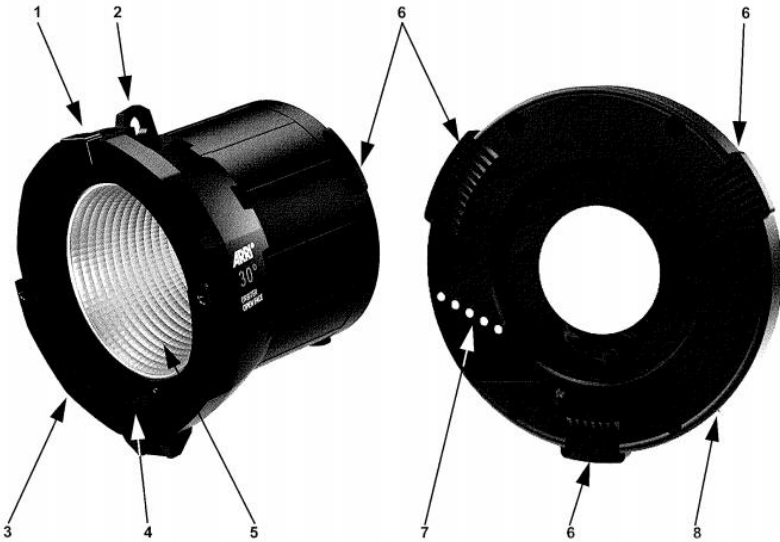


- 1 – Yoke
- 2 – Spigot (28mm Junior Pin)
- 3 – Upper Handle
- 4 – Protective Cap
- 5 – Rubber Feet
- 6 – Locking Slider
- 7 – Quick Release Lever
- 8 – Yoke Bracket
- 9 – Antenna (Wireless DMX)
- 10 – Comm. Interface (Lemo 5-pin)
- 11 – Optic Interface
- 12 – Light Aperture with Glass Cover
- 13 – Guide for Locking Pin
- 14 – Safety Loop Attachment
- 15 – Ambient Light Sensor
- 16 – Connector for Control Panel Ext. Cable
- 17 – Control Panel
- 18 – Focus Handle
- 19 – Mains in and out
- 20 – Battery Input 48V – 52V $\overline{\text{---}}$
- 21 – Tilt Lock
- 22 – SD Card Slot
- 23 – USB Ports
- 24 – DMX in
- 25 – DMX out
- 26 – Ethernet Connector (RJ45)
- 27 – Ethernet Connector (RJ45)
- 28 – Status LED
- 29 – SYNC Connector (SMA)
- 30 – Reset Button



ARRI - ORBITER

Short Manual



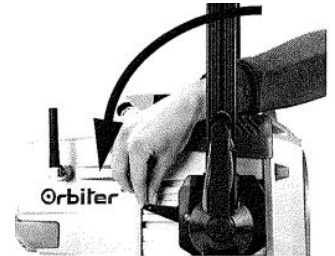
- 1 – Top Latch
- 2 – Safety Loop Attachment
- 3 – Accessory Holder
- 4 – Second Barndoor Catch
- 5 – Reflector
- 6 – Quickmount Guides
- 7 – Digital Optics Interface (5-pin)
- 8 – Locking Pin
- 9 – Locking Slider (OPTIC RELEASE)
- 10 – Guide for Locking Pin

*****ALWAYS: Secure Open Face Optic with Safety Chain to Main Unit in Case Primary Catch Fails*****

! - Digital Optic Interface Will Automatically Recognize Type of Lens When Attached - !

← Mounting Instructions:

- 1 – Align yoke adapters from bellow
- 2 – Lift upwards – latches engage automatically **(RED MARKINGS SHOULD NOT BE VISIBLE)**



Removal Instructions →

- 1 – Flip out one release lever and press stirrup slightly downward until yoke adapter slides out of yoke bracket
- 2 – Repeat for other side



!!! YOKE MUST BE MOUNTED HANGING OR STANDING VERTICALLY. LATERAL LOAD CAN BREAK THE SPIGOT !!!

Lamphead must not be exposed to vibrations





ARRI - ORBITER

Short Manual

MOUNTING LAMPHEAD:

* Always use a safety chain when mounting above persons

****Always secure safety chain between Optic attachment and Lamphead**

***Orbiter **MUST** be mounted on its' yoke in perpendicular standing position, or hanging position. **NEVER APPLY A LATERAL LOAD ON THE STIRRUP!!!**
Lamphead must not be exposed to vibrations

MOUNTING OPTICS:

Lamphead will not function without an Optic attached*

1 – Turn off Orbiter
2 – Release Optic by pressing locking slider inwards and turn counter clockwise
3 – Mount new Optic by lining up Bayonet Catch, turn clockwise until locking tab engages. Check that it is secure.
ALWAYS REPLACE PROTECTIVE CAP WHEN NOT IN USE!!!

ORBITER CONTROL

By applying power to the mains power, the Orbiter will start lighting after a short start-up time with the previous settings programmed.

Orbiter can either be controlled by: **DMX** (Input/Throughput), **Ethernet** (Daisy Chain), or the **Removable Control Panel**

MODES: WHITE LIGHT – Optimized Colour Rendition **or** High Output (Green/Magenta)

COLOURED LIGHT – Colour Tone and Saturation can be adjusted continuously

****At very low light setting, colour will revert to white****

Full Spectrum Operating Modes: WWW.ARRI.COM

ORBITER CONTROL PANEL

The Control Panel can be used directly at the Orbiter, or via a connecting cable remote from the Orbiter. ****If two Controllers are connected, the cable-connected Controller has priority****

Connecting Directly to the Orbiter: place Control Panel diagonally to the left into the recess. Then push in the right side into the recess, then push unit to the right until it locks in place. Control Panel will connect automatically and start up when power is on.

Control Panel uses: LiOS (Lighting Operating System)

Control Panel User Manual: WWW.ARRI.COM



IF YOU HAVE ANY QUESTIONS OR
CONCERNS, PLEASE CONTACT
AFFILIATED EQUIPMENT

416.869.3330

ARRI 

The word "ARRI" is written in a large, bold, black, sans-serif font. To the right of the word is a circular logo containing the word "ARRI" in a stylized, serif font.